

PATTON & COOKE ACCESSORIES

CABLE HORSE

Designed to protect and help prolong the life of all your electrical cables around a mine site. It readily identifies road boundaries, closures, etc.



FEATURES

- Highly visible color
- Stackable for easy shipping & storage
- Highly visible reflectors for added night time visibility
- Wide base for stability
- Hand grips on each side for easier handling
- Can hold up to 4 inch diameter cables

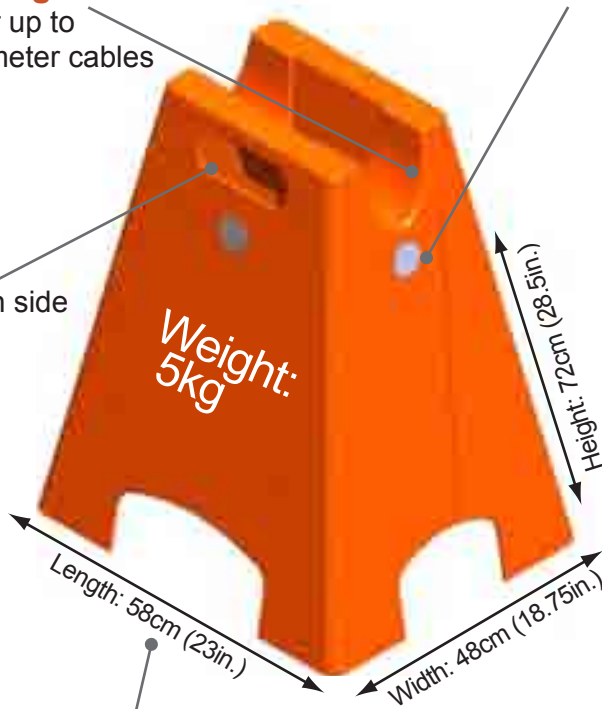
Deep Trough

Radius for up to 4 inch diameter cables

Night Reflectors

on each side of 4 surfaces

Hand Grip on each side



MULTIPLE USES

- Maintain electric trailing cables off ground, out of mud and ice
- Mark off blast sites
- Mark off dangerous areas
- Close roads

Wide Base for stability and for use on uneven surfaces

Stackable Design

for easy shipping and storage



CABLE HORSE

Call 1.866.591.5374 (N. America) OR 604.591.5374 for more Info



#100 - 7795 128th Street
Surrey, BC • V3W 4E6 • Canada
Email: contact@pattonandcooke.com
Web: pattonandcooke.com